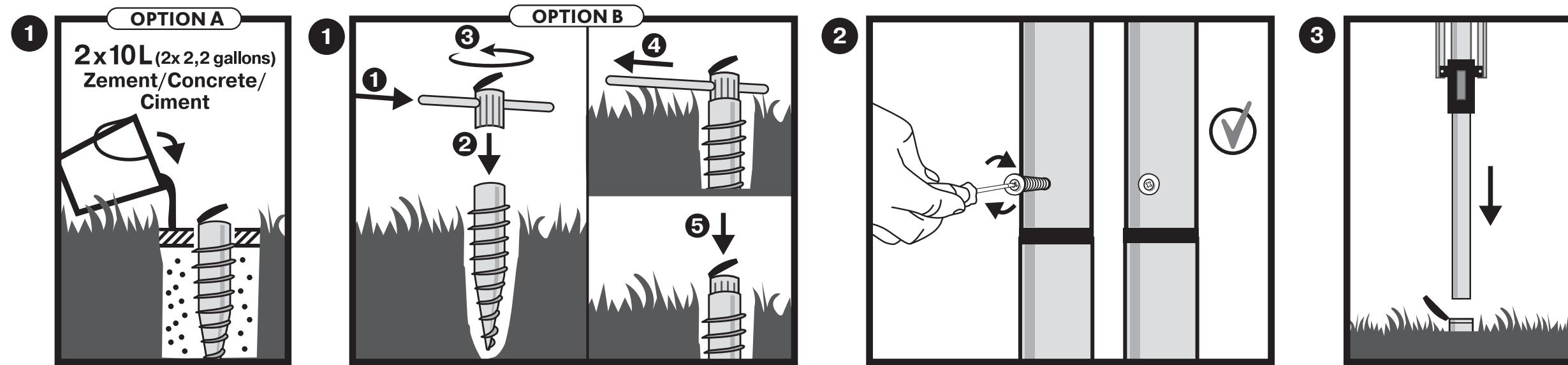


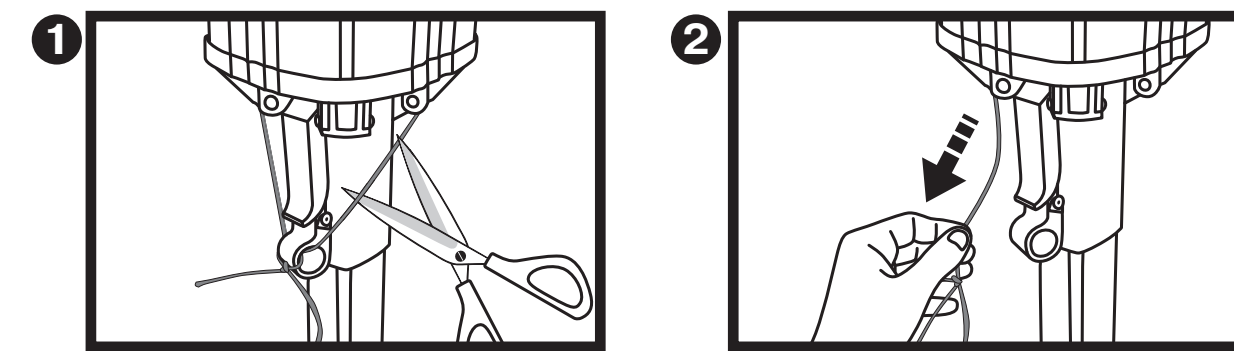
Sun-Rise Premium 50M



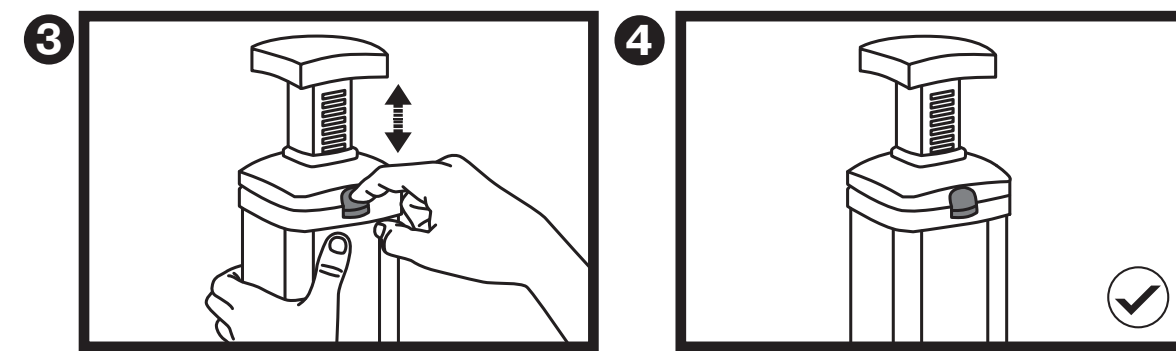
INSTALLATION



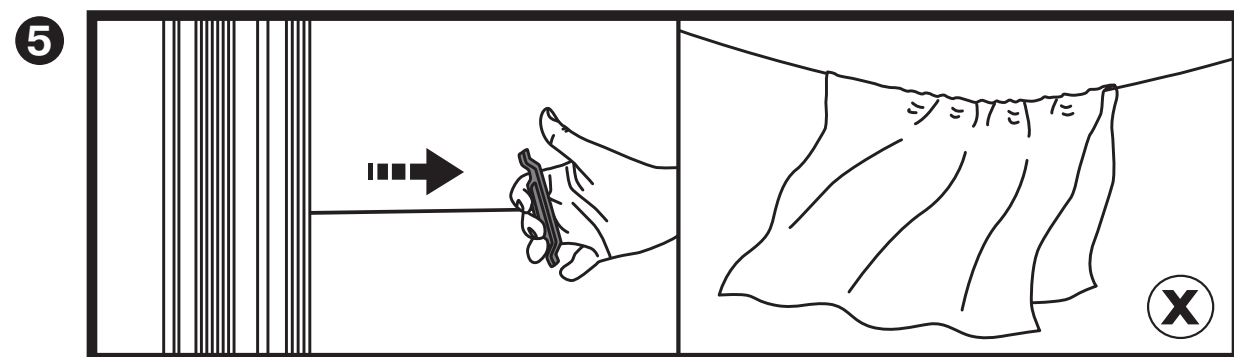
REMOVE



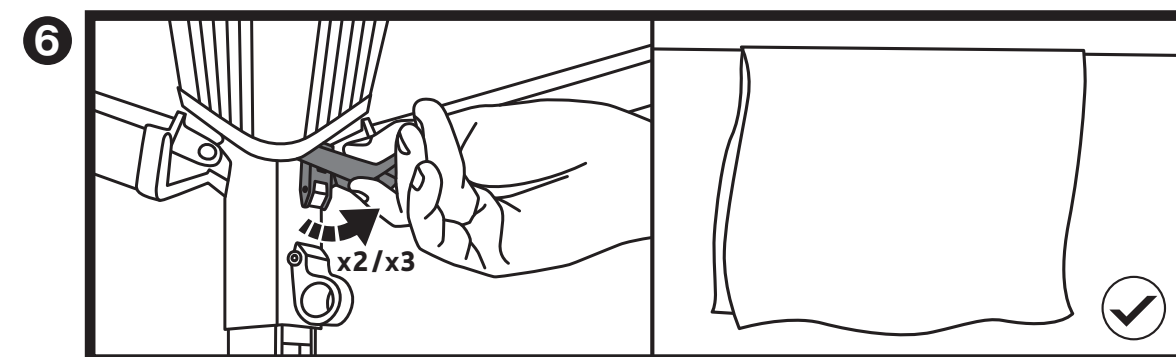
HEIGHT ADJUST



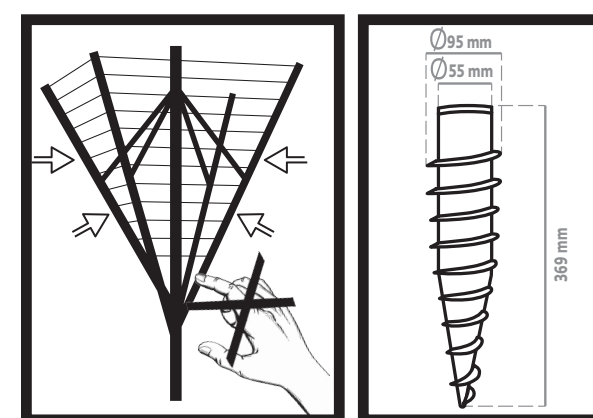
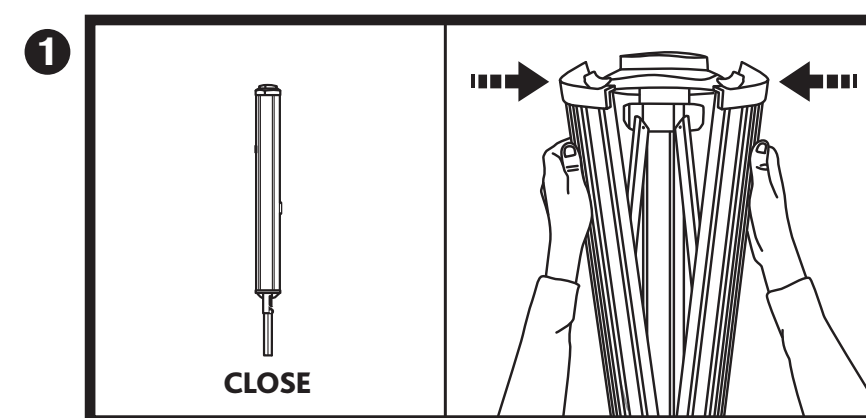
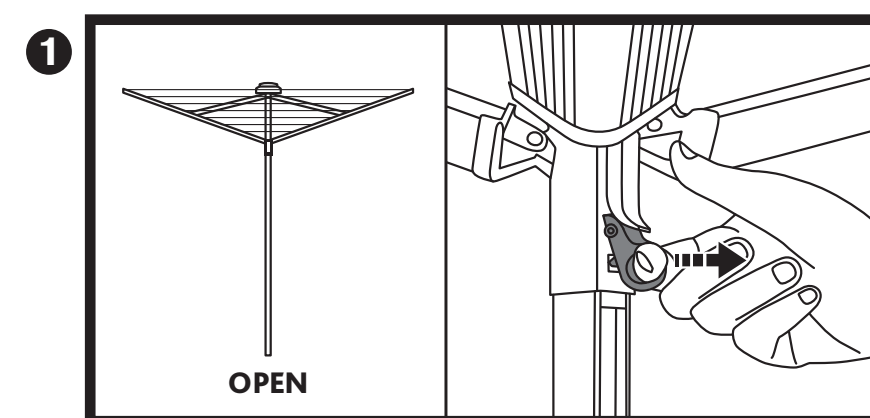
OPENING



LINE TENSIONING



CLOSING



PLEASE READ INSTRUCTIONS FOR USE CAREFULLY AND KEEP FOR REFERENCE.

Location

Use suitable location and allow approx. 2,6m clearance around the dryer so that it can rotate freely.

Installation using concrete

- You need approximately 2 buckets (20 litre) of concrete using ready mix or mixing 5 parts gravel, 2 parts sand and 1 part cement with water.
- Dig a hole 50 cm (1,64 ft) deep and 25 cm (0,82 ft) wide. Partly fill the hole with concrete leaving an available depth of 15 cm (0,49 feet). Position the ground socket in the centre of the hole ensuring that the rim only sticks out as far as it is required to close the cap (1-1,5 cm). Add a further 6 cm (0,19 feet) of concrete around the socket to locate it in position. Replace the dryer in the socket and hold it vertically while filling the hole around the socket with concrete. Gently remove the dryer ensuring the socket remains vertical.
- Allow a few days for the concrete to dry and harden.
- Then plug the upper part of the Outdoor Dryer on the lower part, so that the two screw holes are aligned. Now turn the enclosed screw completely in the screw hole and tighten the bolt.

Installation without concrete

- Insert iron rod into the holes at the top of the screw.
- Position the ground screw in the preferred location and press it towards the ground.
- Turn the rod clockwise, until the screw penetrates the ground completely, is secure and remains vertical.
- Then plug the upper part of the Outdoor Dryer on the lower part, so that the two screw holes are aligned. Now turn the enclosed screw completely in the screw hole and tighten the bolt.

Usage Instructions

1. Choose your most convenient height by pushing the upper grip (A) upwards or downwards.
2. Open the dryer by pulling the red handle (B).
3. Tension the lines by pushing up the red main lever (C) once or more if necessary, until the lines are well tensioned. Avoid over-tensioning of the lines.
4. After use close the dryer by unlocking the lower handle (D). Make sure lines are dry. Once the arms are placed vertically, push them gently towards the main pole by hand until the product is fully closed. Close the dryer after each use, so the lines are protected and remain clean. Spread laundry evenly around the dryer, in case of wind.

Guarantee

Freudenberg Home and Cleaning Solutions Limited guarantees this product for a period of 3 years against no material or processing defects with a dated proof of purchase.

Storage & Care

- Load the washing line evenly.
- Before closing and storing away ensure that all pegs are removed.
- Always close the rotary and store away during high winds otherwise damage to the main pole can occur.

Caution

Before any use the dryer must be checked for damage. A damaged dryer must not be used. Risk of entanglement - this product is not a child's toy. We recommend that young children are supervised if they are playing near this clothes line. This dryer is provided with a ground screw so that it can be removed when not in use and stored safely out of reach of children.

Do not use clothes dryer as a storage place for other items.

